

LED line LITE

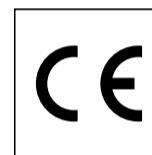
Code: 240621

EAN: 5901583240621

**LED bulb GU10 2700K 5,5W 500lm 230V
60° DIM Glass LITE**



LITE GU10 5,5W 2700K LED line bulb is an efficient source of warm-colour light that emits 500 lumens. Its colour temperature is 2700 K, which provides a cozy atmosphere. Powered by 220-240 V AC voltage and 50/60 Hz frequency, it has a high energy efficiency of 91 lm/W and a durability of up to 30,000 hours. Thanks to the TRIAC function, it is possible to dim it comfortably.



Technical data

Parameter	Value
Energy efficiency class 2019/2015	G
Warranty	3
Power	• 5.5 W
Voltage	• 220-240 V AC
Correlated colour temperature	• 2700 K
Colour of the light	White
Colour rendering index Ra	80
Luminous efficacy	91
Luminous flux	500 lm
The lumen maintenance factor	96
Lifetime L70B50	30 000 h
Survival factor	0.9
Dimmable function	Triac

Parameter	Value
Colour consistency in McAdam ellipses	≤6
Frequency of the supply voltage	50/60Hz
Beam angle	60°
LED type	SMD2835
Compatible dimmer type	TRIAC
Power Factor	0,8
Number of on/off cycles	50000
Lamp's warm-up time to 60%	1
Ambient temperature suitable for operation	-20÷40
For indoor use	Inside
Height	54
Fixture's diameter	50 mm
Material (housing)	Glass

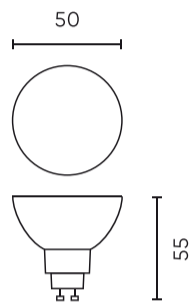
LED line LITE

Code: 240621

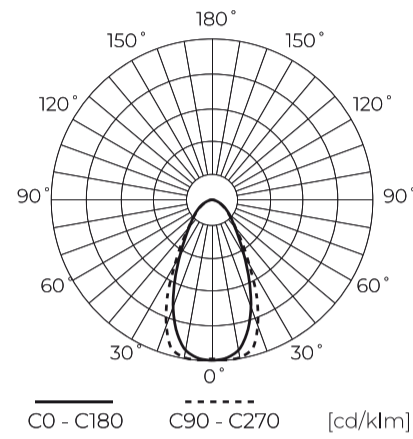
EAN: 5901583240621

**LED bulb GU10 2700K 5,5W 500lm 230V
60° DIM Glass LITE**

Technical drawing



Light distribution



Additional product photos

Logistics data



Single packaging

Quantity	10
Width	50 mm
Height	50 mm
Length	60 mm
Weight	0,08 kg

Bulk packaging

Quantity	100
Width	280 mm
Height	165 mm
Length	540 mm
Volume	0,024 m3
Weight	7,6 kg
Comments	

Europallet

Quantity	4400
Height	1,90 m
Quantity in layer	1600
Number of layers	3
Bulk quantity	44
Weight	390 kg

LED line LITE

Code: 240621

EAN: 5901583240621

**LED bulb GU10 2700K 5,5W 500lm 230V
60° DIM Glass LITE**

Example application