

LED line LITE

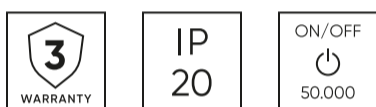
Code: 248917

EAN: 5901583248917

**LED bulb G9 4000K 12W 1160lm 230V  
270° Ceramic LITE**



LED bulb G9 12W by LED line LITE is an innovative light source that is characterized by 12 W power and an impressive light stream of 1160 lumens. By emitting neutral white light with a colour temperature of 4000 K, it ensures high efficiency of 90 lm/W. Its lighting angle of 270° guarantees uniform scattering of light. Made of ceramic, it offers durability and effective heat removal.



**Technical data**

Parameter	Value
Energy efficiency class 2019/2015	F
Warranty	3
Power	• 12 W
Voltage	• 220-240 V AC
Correlated colour temperature	• 4000 K
Colour of the light	White
Colour rendering index Ra	80
IP protection rating	IP20
Luminous efficacy	90
Luminous flux	1160 lm
The lumen maintenance factor	96
Lifetime L70B50	30 000 h
Survival factor	0.9

Parameter	Value
Colour consistency in McAdam ellipses	≤6
Frequency of the supply voltage	50/60Hz
Beam angle	270 °
LED type	SMD2835
Power Factor	0,5
Number of on/off cycles	50000
Lamp's warm-up time to 60%	1
Ambient temperature suitable for operation	-20÷40
For indoor use	Inside
Height	75 mm
Weight	0,022 kg
Colour	white
Material (housing)	Ceramics

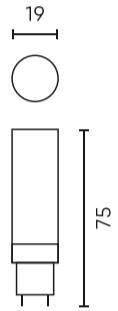
LED line LITE

Code: 248917

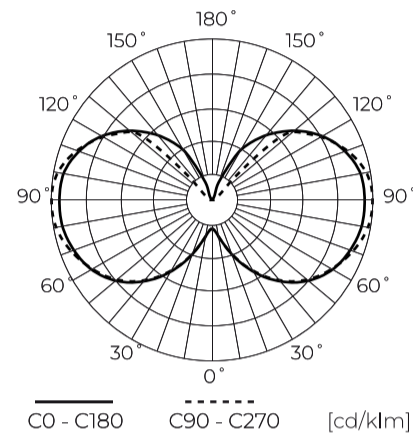
EAN: 5901583248917

**LED bulb G9 4000K 12W 1160lm 230V  
270° Ceramic LITE**

**Technical drawing**



**Light distribution**



**Additional product photos**

**Logistics data**



**Single packaging**

Quantity	1
Width	20 mm
Height	20 mm
Length	66 mm
Weight	0,025 kg

**Bulk packaging**

Quantity	500
Width	580 mm
Height	255 mm
Length	175 mm
Volume	0,025 m3
Weight	13,03 kg
Comments	

**Europallet**

Quantity	40000
Height	1,6 m
Quantity in layer	3000
Number of layers	13
Bulk quantity	80
Weight	1120 kg

---

LED line LITE

Code: 248917

EAN: 5901583248917

**LED bulb G9 4000K 12W 1160lm 230V  
270° Ceramic LITE**

---

**Example application**