

LED line PRIME

Code: 248948

EAN: 5901583248948

**LED bulb GU10 2200-3000K 5.5W 345lm
230V 60° DIM TO WARM Glass PRIME**



The LED line GU10 5.5W bulb is an exceptional light source characterized by a wide range of color temperatures from 2200 K to 3000 K. With a luminous flux of 345 lumens and a beam angle of 60°, it provides even lighting for interiors. High-quality workmanship guarantees durability of up to 30,000 hours and the ability to undergo up to 50,000 on/off cycles.



Technical data

Parameter	Value
Energy efficiency class 2019/2015	G
Warranty	5
Power	• 5.5 W
Voltage	• 220-240 V AC
Correlated colour temperature	• 2200 K • 3000 K
Colour of the light	White
Colour rendering index Ra	80
IP protection rating	IP20
Luminous efficacy	63
Luminous flux	345 lm
The lumen maintenance factor	96
Lifetime L70B50	30 000 h
Survival factor	0.9
Dimmable function	Triac

Parameter	Value
Colour consistency in McAdam ellipses	≤6
Frequency of the supply voltage	50/60Hz
Beam angle	60°
LED type	SMD2835
Compatible dimmer type	TRIAC
Power Factor	0,7
Number of on/off cycles	50000
Lamp's warm-up time to 60%	1
Ambient temperature suitable for operation	-20÷40
For indoor use	Inside
Height	54 mm
Diameter	50 mm
Weight	0,046 kg
Material (housing)	Glass

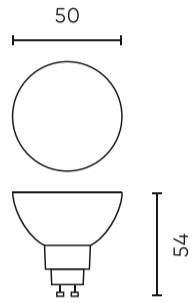
LED line PRIME

Code: 248948

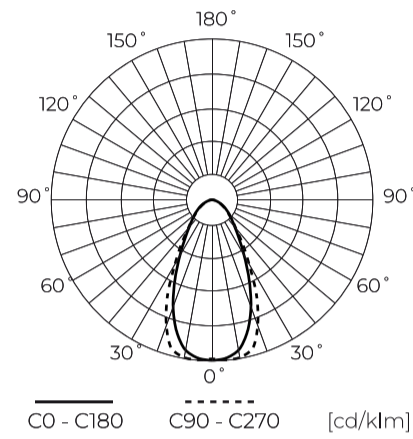
EAN: 5901583248948

**LED bulb GU10 2200-3000K 5.5W 345lm
230V 60° DIM TO WARM Glass PRIME**

Technical drawing



Light distribution



Additional product photos

Logistics data



Single packaging

Quantity	10
Width	50 mm
Height	50 mm
Length	60 mm
Weight	0,052 kg

Bulk packaging

Quantity	100
Width	280 mm
Height	165 mm
Length	540 mm
Volume	0,024 m3
Weight	7,6 kg
Comments	

Europallet

Quantity	4800
Height	1,90 m
Quantity in layer	
Number of layers	
Bulk quantity	48
Weight	390 kg

LED line PRIME

Code: 248948

EAN: 5901583248948

**LED bulb GU10 2200-3000K 5.5W 345lm
230V 60° DIM TO WARM Glass PRIME**

Example application