

LED line PRIME

Code: 471109-DALI

EAN: 5905378221475

**Hermetic fixture RANGER C 4000K 40W
5600lm IP66 120cm gray PRIME DALI**



LED line RANGER C 40W is a modern hermetic lamp with a high luminous efficiency of 140 lm/W. At a power of 40 W, it generates a luminous flux of up to 5600 lm, providing excellent lighting at a color temperature of 4000 K. The product features an IP66 ingress protection rating, ensuring resistance to dust and water as well as mechanical damage (IK08).



Technical data

Parameter	Value
Energy efficiency class 2019/2015	D
Warranty	5
Power	• 40 W
Voltage	• 220-240 V AC
Correlated colour temperature	• 4000 K
Colour of the light	White
Colour rendering index Ra	80
IP protection rating	IP66
IK protection rating	08
IEC protection class	I
Luminous efficacy	140
Luminous flux	5600
The lumen maintenance factor	96
Lifetime L70B50	100 000 h
L80B* – difference B10–B50 ≈ 1% (according to LightingEurope) – negligible	75000 h

Parameter	Value
L90B* – difference B10–B50 ≈ 1% (according to LightingEurope) – negligible	50000 h
Dimmable function	Dali
Frequency of the supply voltage	50/60Hz
Beam angle	120
LED type	SMD2835
LED quantity	456
Lifespan	100 000 h
Power Factor	0,95
Number of on/off cycles	50000
Lamp's warm-up time to 60%	1
Ambient temperature suitable for operation	-25 ÷ 45
Colour	Gray
Material (housing)	Polycarbonate
Material (cover)	Polycarbonate
DALI	• YES

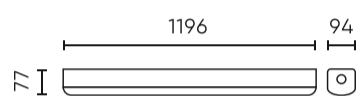
LED line PRIME

Code: 471109-DALI

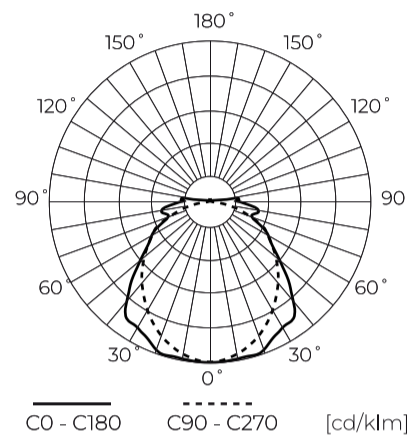
EAN: 5905378221475

**Hermetic fixture RANGER C 4000K 40W
5600lm IP66 120cm gray PRIME DALI**

Technical drawing



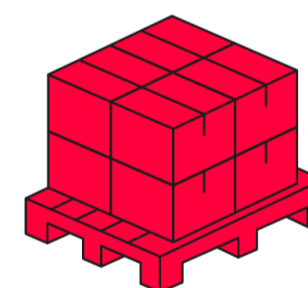
Light distribution



Additional product photos



Logistics data



Single packaging

Quantity	1
Width	100 mm
Height	1220 mm
Length	80 mm
Weight	1,8 kg

Bulk packaging

Quantity	10
Width	420 mm
Height	160 mm
Length	1580 mm
Volume	
Weight	20 kg
Comments	

Europallet

Quantity	100
Height	1920 mm
Quantity in layer	
Number of layers	
Bulk quantity	10
Weight	240 kg

LED line PRIME

Code: 471109-DALI

EAN: 5905378221475

**Hermetic fixture RANGER C 4000K 40W
5600lm IP66 120cm gray PRIME DALI**

Example application